

# MEC-SAT-M002

## Mini PCI-e 2-port Serial ATA III board



- Single-Lane (x1) PCI-Express with throughput up to 5.0/2.5Gbps
- Fully compliant with PCI-Express Base Specification Rev. 2.0
- Two Serial ATA III 6Gb/s ports (Compatible with Serial ATA I and II)
- Transfer rate of 1.5Gbps, 3.0Gbps, and 6.0Gbps
- IDE/AHCI mode supported
- SATA Port Multiplier and Hot-Swap supported



## Overview

MEC-SAT-M002 is a serial ATA III card for embedded PC. The card follows the Mini PCI-e standard which is compliant with PCI Express x 1 classification and small form factor (30.00 x 50.95 mm). This board fits in any host computer that has Mini PCI-e card slots. MEC-SAT-M002 has great compatibilities with all types of Serial ATA devices, including hard drive, solid state drive, and optical drive.

### Top Performance

MEC-SAT-M002 comes with 2 ports of newest Serial ATA III interfaces that support the application of the industry's newest and fastest 6Gb/s hard drives while providing backward compatibility to SATA 1.5Gb/s and 3Gb/s hard drives. MEC-SAT-M002 follows the standard of PCI-Express 2.0 and SATA revision 3.0, and supports IDE/AHCI mode and Hot-Swap function.

### High Usability

MEC-SAT-M002 is tested to be compatible with various Windows Operation Systems. The SATA connection cable is included in the standard package.

# Specifications

## General

### PCI-Express Revision:

PCI-Express Base Specification Rev 2.0

### PCI-Express Electromechanical Revision:

PCI-Express Mini Card Electromechanical Rev. 2.0

## Hardware

**Controllers:** Asmedia ASM1061

**Bus:** Single-Lane (x1) PCI-Express with throughput up to 5.0/2.5Gbps

## Interface (Connector)

**Serial ATA III:** 2 (SATA)

## Performance

**Data Transfer Rate:** SATA III transfer rate of 1.5Gbps, 3.0Gbps 6.0Gbps

## Driver Support

**Operating Systems:** Win 2003, Win XP, Win Vista, Win 7, Win 8

## Power Requirement

**Power Consumption:** 360mA@3.3V

## Dimensions

**Width x Length (mm):** 30.00 x 50.95

## Environmental Limits

**Operating Temperature:** 0°C ~ 70°C

**Storage Temperature:** -40°C ~ 95°C

**Humidity:** 5% ~ 95%

## Regulatory Approvals

**EMC:** CE, FCC

**EMI:** EN 55022, EN61000-3-2, EN61000-3-3, FCC Part 15 Subpart B

Class B

**EMS:** En 55024, IEC 61000-4-2, IEC 61000-4-3, IEC 61000-4-4, IEC 61000-4-5, IEC 61000-4-6, IEC 61000-4-8, IEC 61000-4-11

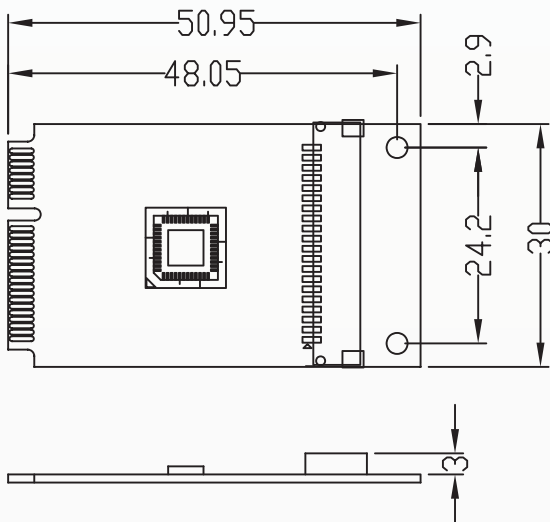
## Reliability

**MTBF:** 3,055,394 hr

**Warranty:** 3 years

## Dimensions

Unit: mm



## Package Checklist

- Mini PCI-e Card x 1
- 20Pin Cable with two SATA Connectors (30cm) x 1
- Quick Installation Guide (Printed) x 1
- Driver CD x 1



# Ordering Information

## Available Models

MEC-SAT-M002

Mini PCI-e 2-port Serial ATA III board